

World's Leading Manufacturer Of Fibreglass Whip Antennas



SPECIALISTS FOR VERY HIGH AND ULTRA HIGH FREQUENCY

VAS-2.4 High Gain WiMAX Antenna

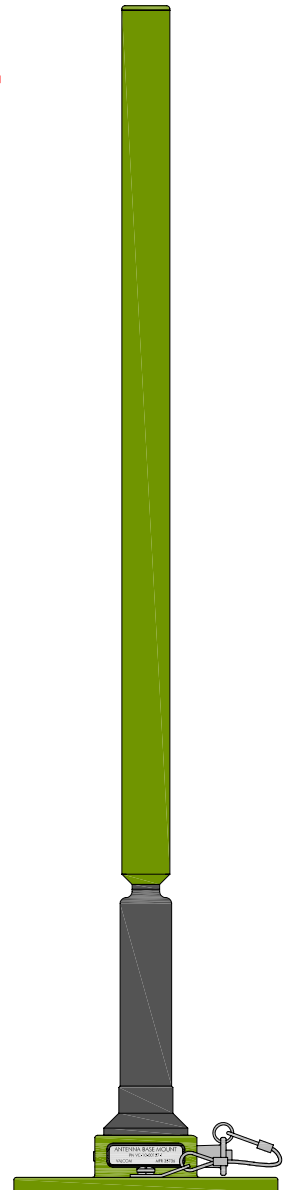
THE VAS-2.4 IS A HIGH GAIN, BROADBAND WiMAX ANTENNA. IT IS DESIGNED FOR RUGGED MOBILE USE AND OPERATES BETWEEN 2.2 GHz AND 2.6 GHz WITH A GAIN PEAK OF 6 dBi AT 2.5 GHz. THE ANTENNA ELEMENTS ARE HOUSED IN A STRONG FIBREGLASS RADOME MOUNTED ON A SPRING.

THE ANTENNA'S ELEMENT DESIGN PROVIDES AN OMNIDIRECTIONAL PATTERN THAT CAN OPERATE WITH OR WITHOUT A GROUND PLANE. THE VAS-2.4 CAN HANDLE UP TO 50 WATTS OF POWER. THE FIBREGLASS RADOME COVERING THE ELEMENTS PROVIDES A DEGREE OF HIGH VOLTAGE PROTECTION FROM ACCIDENTAL CONTACT WITH A POWER SOURCE, ADDING SAFETY TO PERSONNEL AND EQUIPMENT.

THE VAS-2.4 IS ALSO AVAILABLE IN A BASE STATION VERSION FOR FIXED/ NON MOBILE APPLICATIONS. NUMEROUS BASE CONFIGURATIONS ARE AVAILABLE FOR MOUNTING BOTH ANTENNA MODELS AND CAN BE CUSTOMIZED TO SUIT THE USERS REQUIREMENTS.

FEATURES:

- RUGGED AND RELIABLE DESIGN
- PERFORMS WITH OR WITHOUT A GROUND PLANE
- EASY ASSEMBLY/DISASSEMBLY
- HIGH VOLTAGE ISOLATION FOR SAFETY
- NO MAINTENANCE REQUIRED



QUICK REFERENCE DATA VAS-2.4

ELECTRICAL

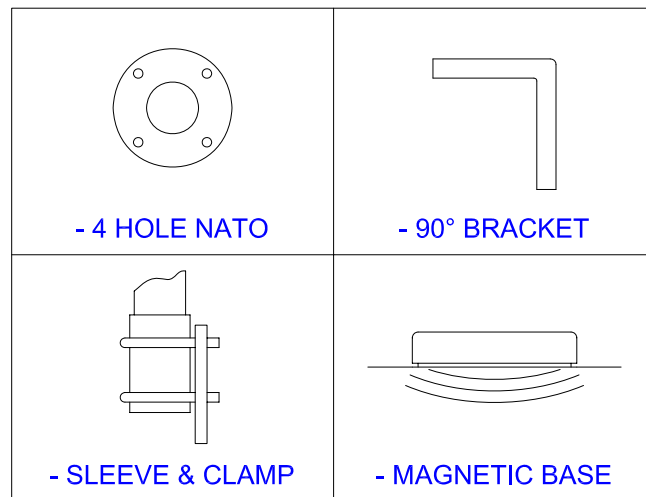
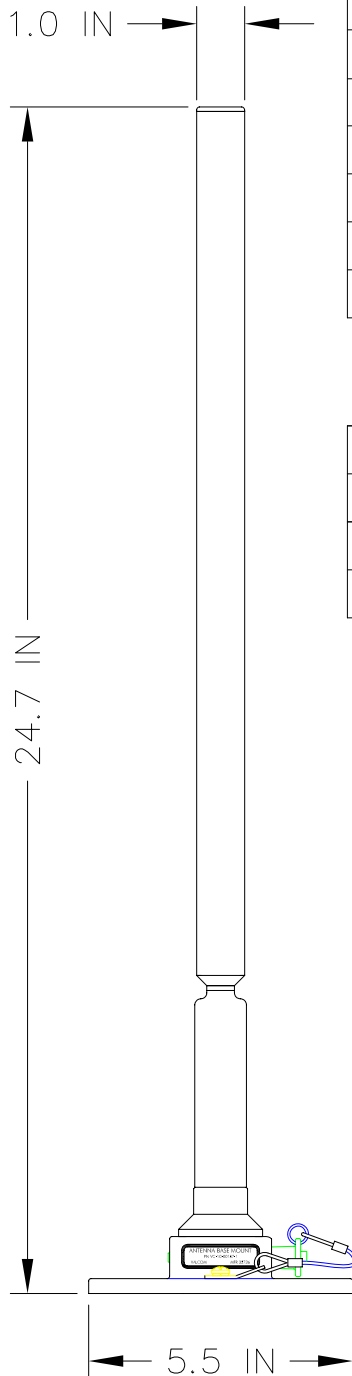
FREQUENCY RANGE	2.2 - 2.6 GHz
RADIATION PATTERN	OMNIDIRECTIONAL
GAIN	+2.0 dBi TO +4.0 dBi
VSWR	2:1 MAXIMUM
POLARIZATION	VERTICAL
POWER HANDLING	50 WATTS
HIGH VOLTAGE PROTECTION	ELEMENT: 10 kVrms to MIL-STD-202
NOM INPUT IMPEDANCE	50 OHMS
INPUT CONNECTOR*	SMA

MECHANICAL

WEIGHT	2.25 LBS (1.0 KG)
HEIGHT	21.5 INCHES (54.6 CM)
TEMPERATURE	-60°F TO +160°F (-51°C TO +71°C)
WIND VELOCITY	100 MPH (160 KPH)

THE VAS-2.4 IS AVAILABLE IN TWO MODELS: A VEHICULAR CONFIGURATION (SHOWN) FOR MOBILE USE AND A BASE STATION VERSION FOR NON-MOBILE APPLICATIONS.

* CONTACT THE FACTORY FOR OTHER POSSIBLE OPTIONS.



*MOUNTING CONFIGURATIONS



P.O. BOX 603 GUELPH, ONTARIO, CANADA, N1H 6L3
 TEL 519-824-3220 FAX 519-824-3411
 INTERNET: www.valcom-guelph.com EMAIL: enquiries@valcom-guelph.com
 Specifications are subject to change without notice.