

World's Leading Manufacturer Of Fibreglass Whip Antennas



SPECIALISTS FOR HIGH FREQUENCY

# **35 Ft Broadband HF Antenna VBBA2-30/A MHz**

THE VALCOM MODEL VBBA2-30/A IS A 35 FOOT, BROADBAND HF TACTICAL WHIP ANTENNA INTENDED FOR USE IN HIGH POWER ELECTRONIC COUNTER MEASURE (ECM) SYSTEMS. THE VBBA2-30/A OPERATES IN THE 2 MHz TO 30 MHz RANGE.

THE VBBA2-30/A EXHIBITS A NOMINAL INPUT IMPEDANCE OF 50 OHMS OVER THE HF FREQUENCY BAND OF 2 MHz TO 30 MHz PROVIDING A MAXIMUM VSWR OF 2:1. ALL WITHOUT THE USE OF AN EXTERNAL TUNER. LIGHTNING PROTECTION IS PROVIDED BY A DC SHORT AT THE INPUT OF THE ANTENNA.

BY USING A COMPATIBLE, THIRD-PARTY MULTI-COUPLER OR POWER COMBINER UNIT, MULTIPLE TRANSMITTERS CAN BE DIRECTLY CONNECTED TO THE VBBA2-30/A, PROVIDING THE PEAK POWER RATING IS NOT EXCEEDED AT ANY TIME.

THE VBBA2-30/A IS A SELF-SUPPORTING WHIP ANTENNA CONSISTING OF AN ALUMINUM RADIATING ELEMENT AND AN INTEGRAL FIBREGLASS MOUNTING BASE AND INSULATOR. THE MOUNTING BASE UTILIZES THE SAME MOUNTING PATTERN AS THAT CURRENTLY USED AS-3772B/U TUNABLE HF SHIPBOARD ANTENNA.

#### FEATURES:

- MINIMUM MAINTENANCE
- HIGH RELIABILITY
- SHIPBOARD APPLICATIONS
- BROADBAND
- WEATHERPROOF



# QUICK REFERENCE DATA VBBA2-30/A

## ELECTRICAL CHARACTERISTICS

FREQUENCY RANGE	2-30 MHz
POLARIZATION	VERTICAL
POWER RATING	3 kW CW, 5 kW PEP
AZIMUTH COVERAGE	OMNIDIRECTIONAL $\pm 3$ dB
VSWR	LESS THAN 2.0:1
INPUT CONNECTION	7/8 EIA FLANGE (N-TYPE ADAPTOR AVAILABLE)

## MECHANICAL CHARACTERISTICS

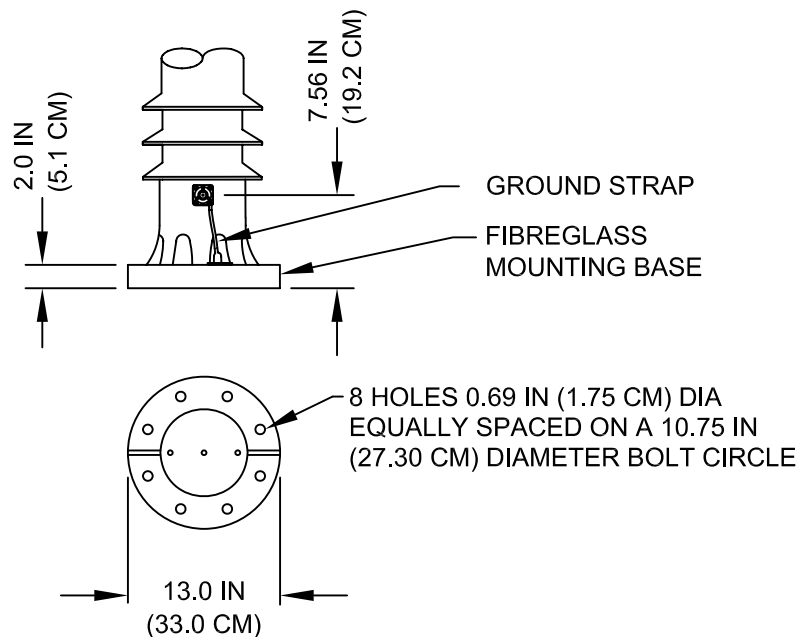
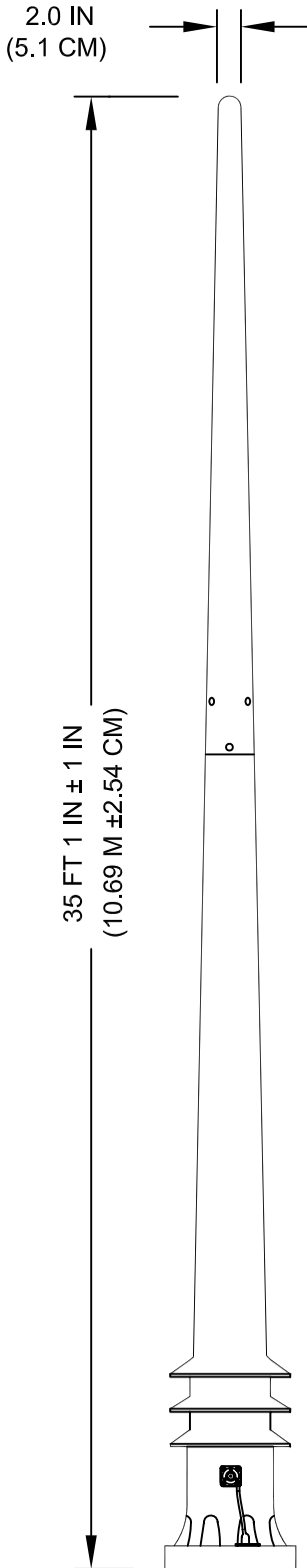
ANTENNA OVERALL LENGTH	35 FT 1 IN $\pm$ 1 IN (10.69 M $\pm$ 2.54 CM)
ANTENNA WEIGHT	250 LBS (113 KG)
RADIATING ELEMENT	ALUMINUM
INTEGRAL BASE/INSULATOR	EPOXY FIBREGLASS
FINISH	HAZE GRAY SILICONE ALKYD ENAMEL PER TT-E-490, COLOUR 26270 PER FED-STD-595

## ENVIRONMENTAL CHARACTERISTICS

TEMPERATURE	-50°C TO 65°C (-60°F TO 150°F)
RELATIVE HUMIDITY	0-100%
VIBRATION	MIL-STD-167-1 TYPE 1
WIND VELOCITY	140 MPH (224 KPH)
ICE LOADING	4.5 LBS/SQ FT (22 KG/SQ M)
SHOCK	MIL-S-901 GRADE A

### NOTE:

- DO NOT USE LEAD BASE PAINT TO TOUCH-UP OR REPAINT ANTENNA



P.O. BOX 603 GUELPH, ONTARIO, CANADA, N1H 6L3  
TEL 519-824-3220 FAX 519-824-3411

INTERNET: [www.valcom-guelph.com](http://www.valcom-guelph.com) EMAIL: [enquiries@valcom-guelph.com](mailto:enquiries@valcom-guelph.com)