

World's Leading Manufacturer Of Fibreglass Whip Antennas



SPECIALISTS FOR VERY HIGH AND ULTRA HIGH FREQUENCIES

---

# **VECM-26000**

## **Wide Spectrum**

## **Multi-Band Antenna**

---

THE VECM-26000 IS A WIDE SPECTRUM VEHICULAR WHIP ANTENNA SYSTEM COVERING MULTIPLE FREQUENCY BANDS ACROSS THE VHF, UHF AND SHF DESIGNATIONS. THE VECM-26000 IS IDEALLY SUITED FOR CUTTING EDGE WIDE SPECTRUM ELECTRONIC COUNTERMEASURE SYSTEMS. AS WELL, IT CAN BE USED FOR STANDARD VHF AND UHF COMMUNICATIONS, REPLACING A MULTIPLE ANTENNA CONFIGURATION. THE VECM-26000 ANTENNA BOASTS A POWER HANDLING CAPABILITY OF UP TO 100 WATTS AND LESS THAN 3.5:1 VSWR ACROSS THE ENTIRE OPERATING BAND OF 20 MHZ TO 6 GHZ.

THE STANDARD VECM-26000 IS CONFIGURED AS A SINGLE INPUT ANTENNA, USING AN N-TYPE INPUT CONNECTOR. FUTURE OPTIONS WILL ALLOW FOR UP TO THREE SEPARATE INPUTS TO CONNECT MULTIPLE RADIO SYSTEMS.

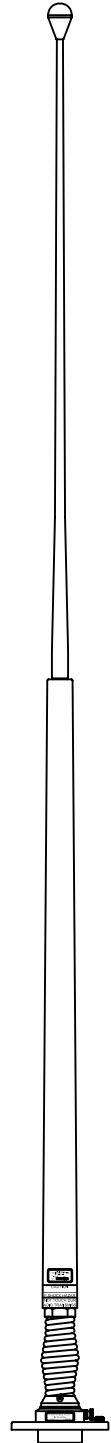
THE VECM-26000 WHIP COMES IN TWO PIECES WHICH EASILY THREAD TOGETHER TO CREATE A STACKED DIPOLE-STYLE ANTENNA SYSTEM WITH INTEGRAL MATCHING NETWORKS. THE ANTENNA IS HOUSED WITHIN RUGGED FIBREGLASS ENVELOPES. THE LOWER WHIP HAS AN INTEGRATED BASE SUPPORT SPRING WHICH THREADS INTO AN ALUMINUM MOUNTING FLANGE ATTACHED TO THE VEHICLE USING A STANDARD VEHICULAR MOUNT.

THE UPPER WHIP SECTION PROVIDES HIGH VOLTAGE ISOLATION TO 10KV PROVIDING SAFETY TO PERSONNEL AND EQUIPMENT IN THE CASE OF AN ACCIDENTAL STRIKE OF THE ANTENNA TO AN OVERHEAD POWERLINE.

**FEATURES:**

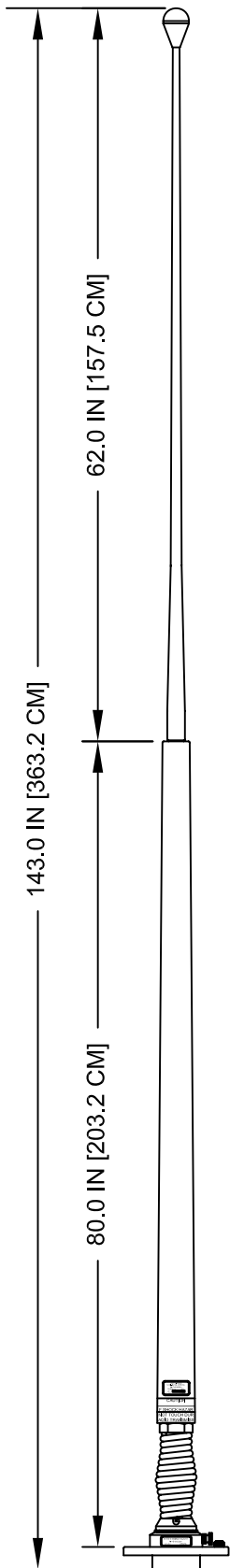
- EXTREMELY WIDE BANDWIDTH
- PERFORMS WITH OR WITHOUT A GROUND PLANE
- RUGGED AND RELIABLE DESIGN
- EASY ASSEMBLY/DISASSEMBLY

\* PATENT PENDING



# QUICK REFERENCE DATA

## VECM-26000



### ELECTRICAL

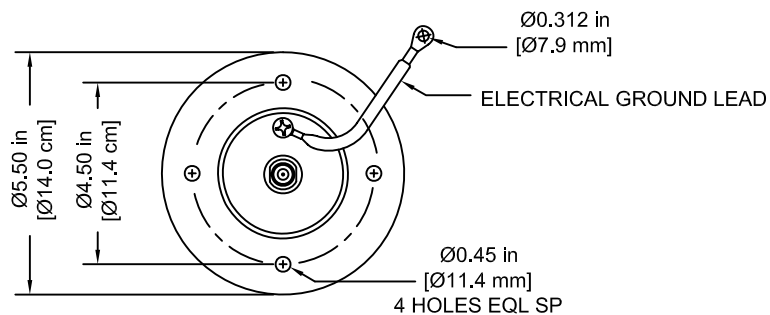
FREQUENCY RANGE	20 - 6000 MHz
RADIATION PATTERN	OMNIDIRECTIONAL
GAIN	-10.0 dBi TO +1.0 dBi
VSWR	3.5:1 MAXIMUM
POLARIZATION	VERTICAL
POWER HANDLING	20 - 999 MHZ: 100 WATTS CONTINUOUS 1 - 6 GHZ: 50 WATTS CONTINUOUS
HIGH VOLTAGE PROTECTION	LOWER ELEMENT: 10 kVrms to MIL-STD-202
NOM INPUT IMPEDANCE	50 OHMS
INPUT CONNECTOR	TYPE-N

### MECHANICAL

WEIGHT	16.5 LBS (7.5 KG)
HEIGHT	143.0 INCHES (3.63 M)
CENTRE OF GRAVITY	31.0 INCHES (0.79 M) FROM BASE

### ENVIRONMENTAL

TEMPERATURE	-60°F TO +160°F (-51°C TO +71°C)
WIND VELOCITY	50 MPH (80 KPH) OPERATING



BOTTOM VIEW



P.O. BOX 603 GUELPH, ONTARIO, CANADA, N1H 6L3

TEL 519-824-3220 FAX 519-824-3411

INTERNET: [www.valcom-guelph.com](http://www.valcom-guelph.com) EMAIL: [enquiries@valcom-guelph.com](mailto:enquiries@valcom-guelph.com)

Specifications are subject to change without notice.