

World's Leading Manufacturer Of Fibreglass Whip Antennas



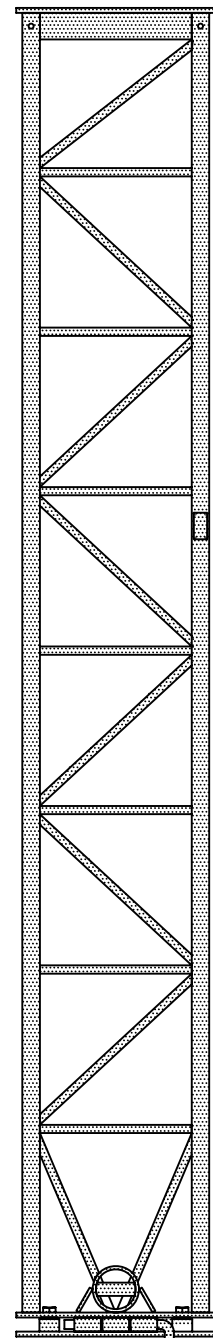
SPECIALISTS FOR HIGH FREQUENCY

## VTGS-14 Steel Tower

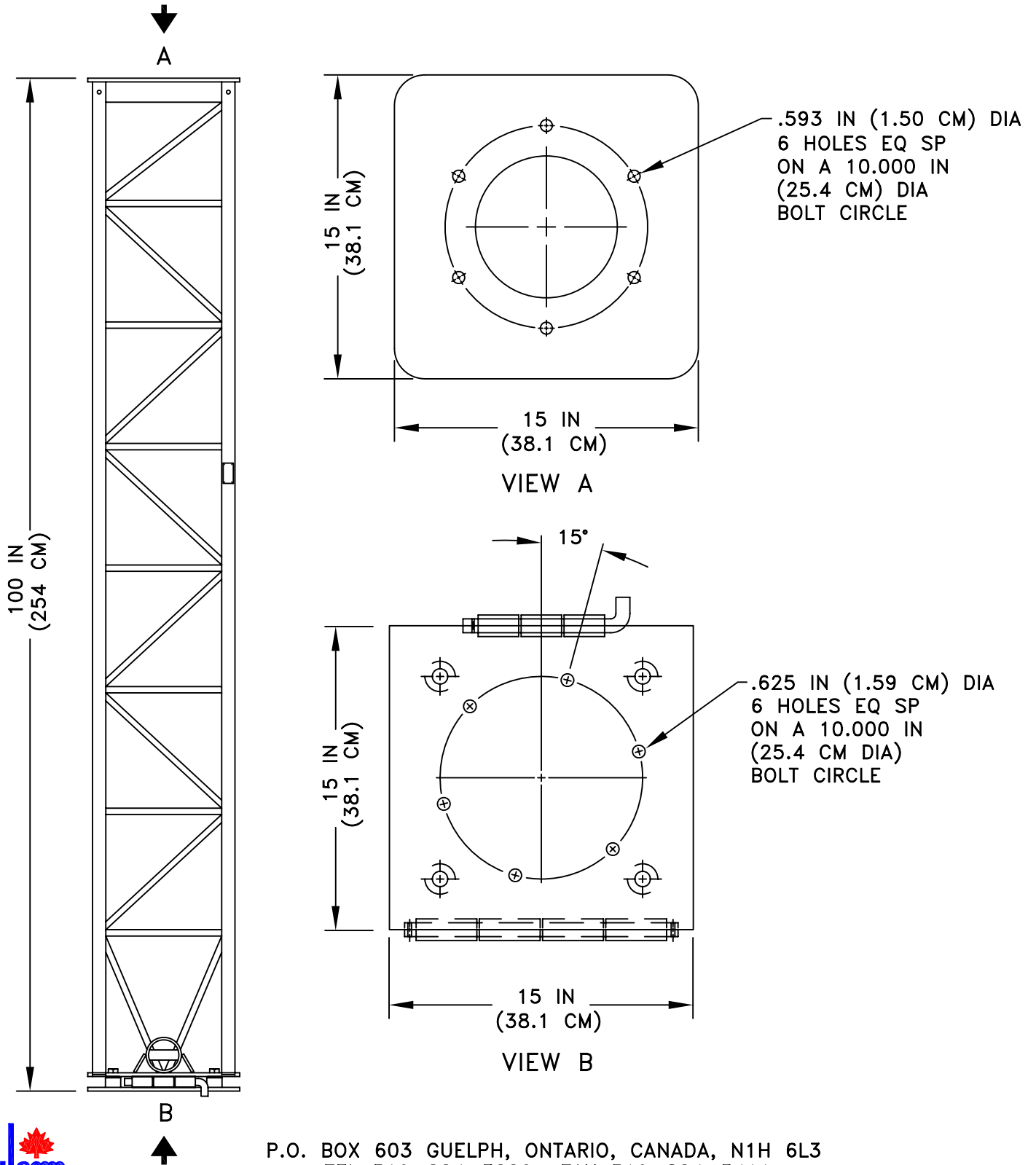
THE VTGS-14BH SERIES OF STEEL TOWERS PROVIDES A VERY CONVENIENT METHOD OF INSTALLING AND ERECTING VALCOM'S V802 SERIES ANTENNAS. THEY ARE INTENDED FOR USE WITH THE VGP-10 GIN POLE AVAILABLE SEPARATELY. IN ADDITION TO EAS-ING INSTALLATION, THESE TOWERS ARE USED TO ACHIEVE GROUND CLEARANCE TO AVOID SNOW BUILD-UP AS WELL AS TO PROVIDE MEANS OF MOUNTING AUXILIARY EQUIPMENT.

### FEATURES:

- RUGGED GALVANIZED STEEL CONSTRUCTION
- HINGED BASE SECURES WITH LOCKING PIN AND BOLTS
- INTEGRAL LADDER ON GIN POLE SIDE
- ACCEPTS VGP-10 GIN POLE
- AVAILABLE UP TO 8 FEET HIGH IN 1 FOOT INCREMENTS



# VTGS-14BH STEEL TOWER QUICK REFERENCE DATA



P.O. BOX 603 GUELPH, ONTARIO, CANADA, N1H 6L3  
TEL 519-824-3220 FAX 519-824-3411